

*Our Lady of Grace Parish  
Dunstable, Groton, Pepperell, MA*

Hosanna



to the Kings!

*Marco Palmezzano / 1535*

*Palm Sunday*

*March 29, 2015*

**WELCOME TO**  
**OUR LADY OF GRACE PARISH**  
 OF  
 DUNSTABLE, GROTON & PEPPERELL

*We are glad you joined us today!*

**OUR TWO WORSHIP SITES**



*St. James Church  
West Groton*

*St. Joseph Church  
Pepperell*

St. James Church  
13 St. James Ave.  
Groton, MA 01450

**Father Robert Poitras—Administrator**  
 fr\_bob@ourladyofgracema.org  
 Ph: 978-433-5737 x303 Fax: 978-433-9566  
 Web Site: www.ourladyofgracema.org

St. Joseph Church  
28 Tarbell Street  
Pepperell, MA 01463

**Parish Office Hours: Monday - Friday 9a.m. - 5p.m.**

For a *Sacramental Emergency*, please call the office and select ext. 302 and leave a message and Fr. Bob will get right back to you.

**Parish Staff**

**Deacon: Michael Markham**  
 dcnmichaelmarkham@gmail.com

**Director of Religious Education: Robert Daly**  
 Ph: 978-433-2028 Robert@ourladyofgracema.org

**Business Manager: Debra Lackey, M.B.A.**  
 Ph: x307 Debbie@ourladyofgracema.org

**Administrative Assistant: Cotty Reid**  
 Ph: x301 Cotty@ourladyofgracema.org

**Music Coordinator: Ellen Blackwell**  
 Ph: 978-433-6131

**Cemetery Manager: Joseph Viel**  
 Ph: 978-208-0266

**Liturgy Schedule**

**At Saint James Church**  
 Sunday: 7:30 a.m. & 11:30 a.m.

**At Saint Joseph Church**

Weekday Mornings: Wed, Thurs, Fri 8:30 a.m.  
 Saturday: 4 p.m.  
 Sunday: 9:30 a.m.

Every 2nd Sunday of the Month:  
 5:30 p.m. Rel. Ed. Mass For CY1 & CY2  
 & Families

Confessions: 3:00—3:30 PM at St. Joseph Church  
 or by appointment with the Pastor.

Information regarding any sacraments, (Baptism, Marriage, Anointing) please check our website or call the parish office.

Let us enter the city  
with God today,  
Let us sing hosanna  
to our king.  
To the son of God  
riding on a donkey  
With shepherds, tax collectors  
and prostitutes,  
with the blind, the lame  
and the leper  
With the abused, abandoned,  
and oppressed.  
Let us shout for joy  
at Christ's coming,  
And follow the One who  
welcomes the sinner and dines  
with the outcast.  
Let us touch and see  
as God draws near,  
Riding in triumph,  
towards the Cross.



**Celebrate the liturgies of Holy Week and Easter with CatholicTV from the Vatican, the Cathedral of the Holy Cross along with Masses from the San Fernando Cathedral in San Antonio and the Basilica of the Sacred Heart on the campus of the University of Notre Dame.**

**From March 30 to April 6 CatholicTV will bring you full coverage of the Holy Week and Easter liturgies led by Pope Francis.**

**On Tuesday March 31<sup>st</sup> join the celebration of the Chrism Mass from the Cathedral of the Holy Cross with parishes from the Archdiocese of Boston LIVE at 11:30am re-airing at 8pm.**

Vatican coverage begins with Palm Sunday Mass, followed by Thursday's Chrism Mass and Mass of the Lords Supper; the Sacred Triduum continues on Good Friday with the Celebration of the Lord's Passion and the Way of the Cross. For air times please visit the schedule page on [www.CatholicTV.com](http://www.CatholicTV.com)

# Holy Week Schedule



## Wednesday of Holy Week, April 1

6:30-8 pm - "Light is on for you" Reconciliation St. Joseph Church

## Holy Thursday, April 2

7 pm - Mass of the Lord's Supper  
Saint Joseph Church

## Good Friday, April 3

both churches open all day

3 pm - Liturgy of the Lord's Passion

St. James Church

Following 3pm Liturgy - Mary's Way of the Cross (Stations)

St. James Church

7 pm - Liturgy of the Lord's Passion

St. Joseph Church

## Holy Saturday, April 4

8 pm - Easter Vigil Liturgy - Saint Joseph Church

## EASTER SUNDAY, April 5

7:30 am - Easter Mass at Saint James Church

9:30 am - Easter Mass at St. Joseph Church

11:30 am - Easter Mass at Saint James Church



# MASS INTENTIONS

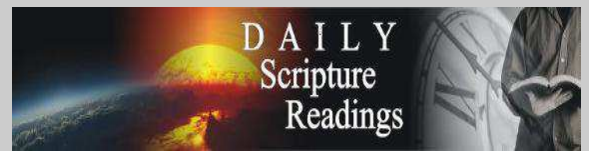
DAY	DATE	TIME	IN MEMORY/HONOR OF	REQUESTED BY
Saturday	March 28	4:00 PM	Al & Karen Goguen Neri Richard	The Family

## THIS WEEK'S EVENTS

DAY	DATE	TIME	EVENT	LOCATION
Saturday	March 28	3:15 PM	Choir Rehearsal	Blue Room
		4:00 PM	Robert Hennessey, Auxiliary Bishop of the Merrimack Region will be the celebrant	St. Joseph Church
		5:15 PM	Seder Supper	St. Joseph Hall
Sunday	March 29		Palm Sunday-Regular Mass Schedule	
Tuesday	March 31	7:00 PM	Choir Rehearsal	Blue Room
Wednesday	April 1	2:00 PM	Legion of Mary	Private Residence
		6:30 PM	The Light is on For You	St. Joseph Church
Thursday	April 2	11:00 AM	Prayer & Communion	RiverCourt Residences
		6:15 PM	Choir Rehearsal	Blue Room
		7:00 PM	Supper of the Lord	St. Joseph Church
Good Friday	April 3	3:00 PM	Liturgy of the Lord's Passion	St. James Church
	<b>Following</b>	<b>Liturgy</b>	Mary's Way of the Cross-Stations	St. James Church
		7:00 PM	Liturgy of the Lord's Passion	St. Joseph Church
Holy Saturday	April 4	7:00 PM	Choir Rehearsal	Blue Room
		8:00 PM	Easter Vigil Mass	St. Joseph Church
Easter Sunday	April 5		Regular Sunday Mass Schedule	

### Scripture for the week of March 29, 2015

- 29 SUN Mk 11:1-10 or Jn 12:12-16/Is 50:4-7/Phil 2:6-11/Mk 14:1-15:47 or 15:1-39
- 30 Mon Is 42:1-7/Jn 12:1-11
- 31 Tue Is 49:1-6/Jn 13:21-33, 36-38/21
- 1 Wed Is 50:4-9a/Mt 26:14-25
- 2 Thu Ex 12:1-8, 11-14/1 Cor 11:23-26/Jn 13:1-15
- 3 Fri Is 52:13-53:12/ Heb 4:14-16; 5:7-9/Jn 18:1-19:42
- 4 Sat Easter Vigil: Gn 1:1-2:2 or 1:1, 26-31a/Gn 22:1-18 or 22:1-2, 9a, 10-13, 15-18/Ex 14:15-15:1/Is 54:5-14/Is 55:1-11/Bar 3:9-15,32-4:4/Ez 36:16-17a,18-28/Rom 6:3-11/Mk 16:1-7
- 5 SUN Acts 10:34a, 37-43/Col 3:1-4 or 1 Cor 5:6b-8/Jn 20:1-9 or Mk 16:1-7





### THE CLERGY FUNDS

*Caring for the Health and Retirement Needs of our Priests*

## The Clergy Health and Retirement Trust

**At Easter**, we honor and celebrate our priests. The Clergy Health and Retirement Trust helps care for the health and well being of our 638 priests, ensuring the highest quality of care and quality of life for the men who have dedicated their lives in service to our Archdiocese of Boston. Remember the priests who were there for you and your loved ones in times of need, and consider honoring them with a generous gift. Thank you for helping to keep the promises made care for the priests who continue to give so much to our Church.

### A note about the EASTER COLLECTION

All of the money collected during the Holy Saturday and Easter Day Masses will be sent into the Archdiocese for the



Clergy Health & Retirement Trust Fund.

**The parish does not keep any of this money.**

(NOTE: if you send us your Easter envelope early, that donation also goes to the Clergy Benefit Trust Fund.)



If you want to make a special donation to the parish during this season, please use the Offertory collections before or after Easter.

Thanks!

*Online Giving is great because:*

- It's convenient and easy to use.
- You control your own account
- It's green – no checks or envelopes.



Check it out on our website, just click the Online Giving link on our home page and get started today! [www.OurLadyofGraceMA.org](http://www.OurLadyofGraceMA.org)

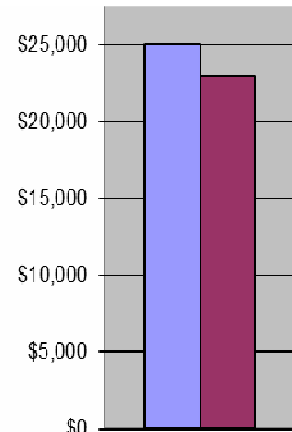
### Important Information for your DONATION STATEMENTS for 2014



Statements for donations are only sent to those parishioners who submit their donations in a parish envelope or through our OnLine Giving system. *Loose checks put into the Offertory basket are not recorded into the database.*



### Annual Fuel Collection



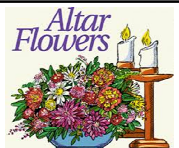
Total Budgeted	\$25,000
Year to Date	\$22,934

*We are 92% to our goal!*

*Thank you!*

**PLEASE NOTE**

### MEMORIAL ALTAR FLOWERS



During the Lenten Season, we will not be placing Memorial Flowers at the Altar. We will resume this after Easter.



Looking for volunteers to count offertory on the 4th Monday of each month. Please contact Debbie Lackey in the parish office at 978-433-5737

# PARISH HAPPENINGS

## Easter Triduum



Holy Thursday recalls Jesus' last supper with His disciples, when he instituted the Sacraments of the Holy Eucharist and Holy Orders of Priesthood.



Good Friday commemorates Jesus' suffering and death, and we venerate the Holy Cross on which hung the Saviour of the world.



Holy Saturday commemorates the Jesus laying in the tomb.



Easter Vigil Mass is

celebrating Jesus' glorious resurrection and triumph over death.

During the weeks of Lent, every church in the Archdiocese of Boston will be open on Wednesday evenings from 6:30-8 PM for the Sacrament of Reconciliation.



Starting on Wednesday, February 25, *Our Lady of Grace* will be open for confessions. Please see the schedule below.  
**April 1: St. Joseph Church**

## Calling singers of all ages!

We are gathering together to form a choir for Easter Morning at St. Joseph church.

Rehearsals for this will be Monday March 30th at 7-8pm and Easter morning before the Mass.

We ask that you attend at least one of the rehearsals if you want to sing. Thanks!

Please contact Myra at [978-433-6155](tel:978-433-6155)

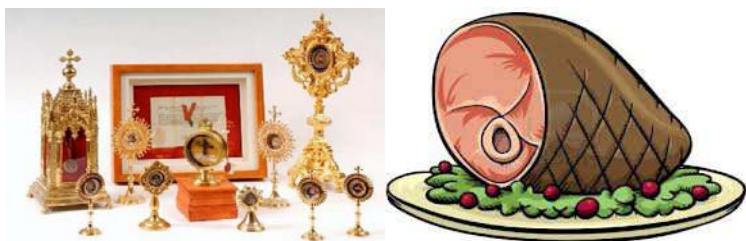
if you have any questions.



## A Huge Thank You

To our *Knights of Columbus Council* for sponsoring the Exposition of the Holy Relics and also for putting on a wonderful Ham dinner with all the fixin's!

Both events were enjoyed by all who attended!



## OUR CATHOLIC FAITH



## LABELS ARE FOR JARS™



### Is your "Jar" filling up???

Don't forget our "Labels Are For Jars" project to benefit Cor Unum, a meals program that feeds thousands (locally, in Lawrence) each year. Make your "loose change" turn into dollars \$\$\$ to feed the hungry.

Please send a check for the amount you collected to Cor Unum Meal Center  
118 South Broadway  
Lawrence, MA 01843  
Thank You!

# COMMUNITY HAPPENINGS



**Loaves and Fishes** is holding a **Good Friday walk on April 3, 2015.**

The start of the 5 mile walk takes place from **7:30 am to 12:30 pm in Harvard.** It starts at the Congregational Church of Harvard, 5 Still River Rd–Harvard MA. The walk benefits two charities, **Loaves and Fishes and Sharing, Inc.** which helps impoverished young people in the rural South. Loaves and Fishes served 800+ families last year with your help. Each dollar you donate buys 5 pounds of food! If you would like to help, please put a donation in the collection basket with "Loaves and Fishes" written on the envelope. If you would like to participate in the walk, see their web site at [www.loavesfishespantry.org](http://www.loavesfishespantry.org). Thank you!



## Country Day School

Groton, MA

Country Day School is a private, independent Catholic school serving students from pre-Kindergarten to 8th Grade. We would love to be a part of your child's academic, social and spiritual development. Come see if Country Day School is a good fit for your family. Tour our classrooms, and talk one-on-one with our teachers and administrators. Call 978-448-5646 for a private tour. or visit [www.cdsholyunion.org](http://www.cdsholyunion.org)

## Worldwide Marriage Encounter

The gospel says "But whoever lives the truth comes to the light, so that his works may be clearly seen as done in God". Let your marriage live in truth and works through God.



The next **Worldwide Marriage Encounter Weekends** are **May 1 – 3, 2015,** **May 29 – 31, 2015** and **July 10 – 12, 2015.**

In the first reading it says "I will be their God, and they shall be my people." God wants to be invited into your marriage.

For more information call Jim and Elaine Richard at 1-800-710-WWME or visit our webpage at [www.wwme.org](http://www.wwme.org)

## Comedy Night BIG LAUGHS FOR LITTLE LIVES

To benefit



Join us for a Laugh Filled Night featuring



### Dan Smith

Dan headlines all over New England and has entertained our troops overseas more than 30 times.

and some of the funniest comics in the area.

## Friday, April 17

### Lenzi's

810 Merrimack Ave.  
Route 110  
Dracut, MA 01826

Refreshments – 7:00 P.M.  
Show Starts – 8:00 P.M.  
Cash Bar  
Admission: \$30 per person

For Tickets: <https://mfhouse.brushfireapp.com/events/428849>



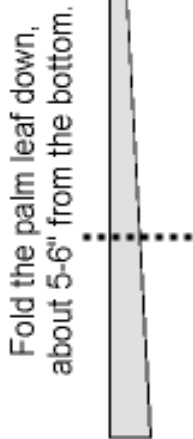


# CHILDREN'S SUNDAY FUN PAGE

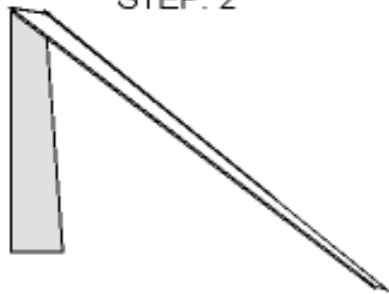
## Palm Leaf Cross Directions

Supplies: One palm leaf strip about 24-26" in length, 1/2" in width, tapering to the end.

STEP: 1



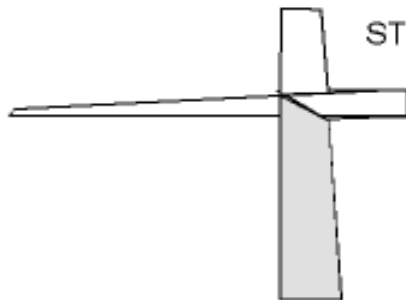
STEP: 2



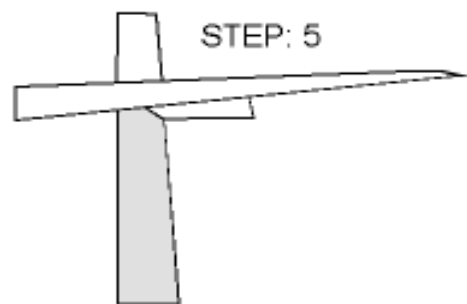
STEP: 3



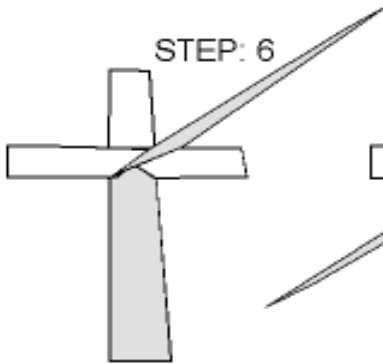
STEP: 4



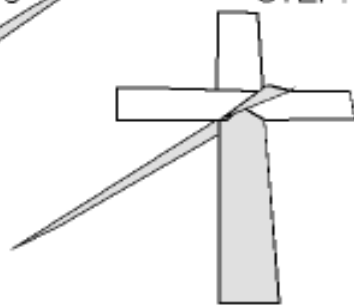
STEP: 5



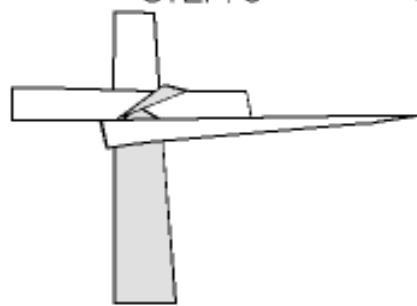
STEP: 6



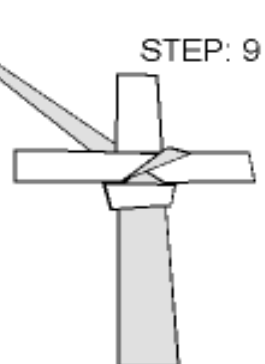
STEP: 7



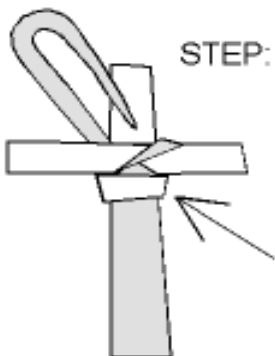
STEP: 8



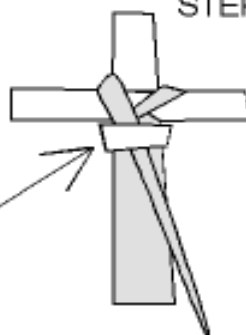
STEP: 9



STEP: 10

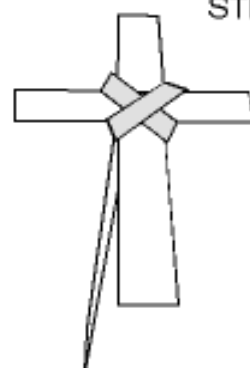


STEP: 11



Tuck in the tapered end of the palm leaf and pull it through.

STEP: 12



Turn the cross over. This is the front view.



*“Today, thanks to Project Rachel, I am a different person. To experience the power of forgiveness is life altering...”*

# *Come to the Waters of Healing*

## *One Day Retreat for Hope & Healing After Abortion*

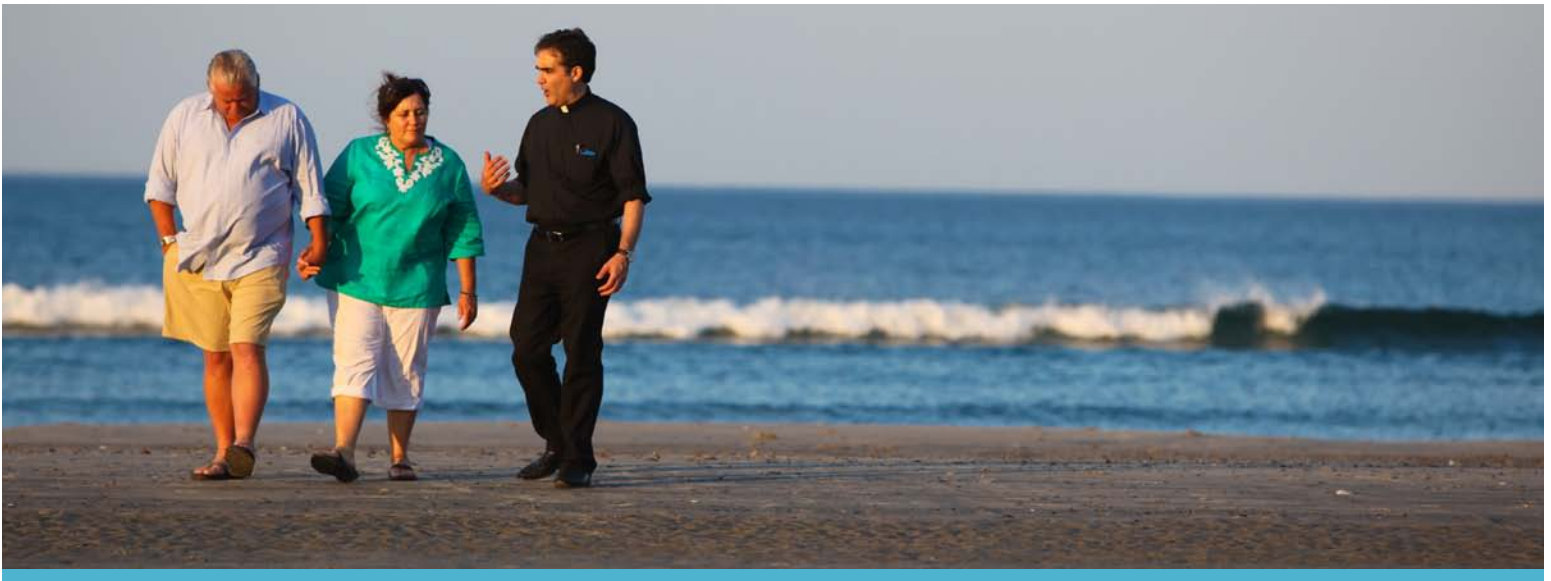
- ◆ Saturday, February 21, 2015
  - ◆ Saturday, March 28, 2015
  - ◆ Saturday, April 25, 2015
- 9:00AM – 5:00 PM

This one-day retreat is designed to help women hurting from past abortions experience the personal love of Christ and find hope for healing in a loving and confidential environment.

***Sponsored by the Project Rachel Ministry - Archdiocese of Boston***  
*Pre-registration is required. Limited to 10 participants.*

For more information, contact  
Project Rachel at (508) 651-3100 or  
[help@projectrachelboston.com](mailto:help@projectrachelboston.com)  
[www.projectrachelboston.com](http://www.projectrachelboston.com)





## Meet Fr. Joe— *Answering the call with compassion*

For Gary and Susan Pickering, Fr. Joe Mazzone is more than a pastor—he is family.

Like so many priests in our Archdiocese, Fr. Joe has been a source of strength and support, helping others find Christ's presence in times of joy and sorrow. When Gary and Susan's daughter Marcy passed away unexpectedly during surgery, Fr. Joe was the first person they called. Marcy had been a close friend of Fr. Joe's, and her faith life had blossomed with his help through challenging times in her life. Fr. Joe was there for the Pickerings as they said goodbye to their beloved Marcy then, and he remains by their side today. Together, they continue to grow in faith and friendship, confident that they will be reunited with Marcy again, and grateful for the hope they receive through each other in Christ Jesus.

**Our priests are there for us and our families without question or hesitation. Please consider showing your gratitude by supporting your parish collection this Easter.**

Thank you for helping to ensure a continuum of care and quality of life for all our active and senior priests.



*“Support your priests with your love and prayers, that they may always be shepherds after Christ’s heart.”*

*- Pope Francis*

To submit your special intentions to be remembered by our senior priests during the celebration of Holy Mass at Regina Cleri each week, visit [www.clergyfunds.org/intentions](http://www.clergyfunds.org/intentions).

To watch a short video of Fr. Joe Mazzone, please visit [www.clergyfunds.org](http://www.clergyfunds.org).



**Clergy Health and Retirement Trust**  
*Caring for the Well-Being of our Boston Priests*

**HAMILTON-McGAFFIGAN FUNERAL HOME**  
 JOHN F. McGAFFIGAN JR.  
 (978) 433-2100  
 37 MAIN STREET - PEPPERELL, MA  
 WWW.McGAFFIGANFUNERAL.COM

**Marchand Funeral Home**  
 and Cremation Services  
 "Caring for parishioners in their time of need."  
 Normand Marchand, Director  
 Parishioner since 1973  
 978-433-5788  
 16 Pleasant St. Pepperell

  
**DIANA ARCHAMBAULT**  
 Broker  
 978-302-9616  
 diana.archambault@century21.com  
 www.dianaarchambault.com

**SHATTUCK OIL COMPANY**  
 Keeping Your Community Comfortable Since 1927  
**978-433-6701**  
 PEPPERELL

**(Bill) Aubut Electrical Service**  
 RESIDENTIAL/COMMERCIAL  
 978-300-5278 OFFICE  
 www.aubutelectricalservice.com  
 aubutelectrical@comcast.net

  
**The Computer Guy**  
 For all your computer needs  
**Steven Surette**  
 Service Technician  
 Pepperell  
**978-433-0168**  
 www.thecomputerguyhelp.com

**Century 21**  
 NASHOBA ASSOCIATES  
 111 Main Street  
 Pepperell, MA 01463

**BEST BUDS LANDSCAPING**  
*All of Your Lawn Maintenance Needs Fully Insured*  
 Office 978-649-2164  
 690 Pleasant Street Dunstable Elio Duarte 978-868-6679  
 BestBudslandscaping@verizon.net

**24 Hour Burner Service**  
 Kevin P. Horgan, President  
**AYER OIL CO.**  
 Ayer: (978) 772-2031  
 Groton: (978) 448-6711  
**Heating & Air Conditioning**  
 www.ayeroil.com  
 Quality Service Since 1967

**C&S Pizza**  
 978-433-2034  
 55 Main Street  
 Pepperell, MA 01463

  
 1215 Main Street, Unit 122  
 Tewksbury, MA 01876  
 (978) 851-9103

**CORNELIUS "CONNIE" SULLIVAN**  
 ~Attorney at Law~  
 Personal Injury • Real Estate • Estate Planning  
 Probate • Criminal Defense  
 GROTON • MA  
**978-448-5200**

**SLAVIN IN THE KITCHEN**  
 NOW BOOKING  
 Weddings, Graduations,  
 and First Communions  
 Contact us for a consultation  
**508.320.6994**  
 Slavinithekitchen@gmail.com

**PilotBulletins**  
**WATCH THIS VIDEO**  
 and see how your bulletin is made.

**Rosaries from Flowers**  
 "Handmade from the Flowers of your Loved One"  
 www.rosariesfromflowers.com



For stories of our priests,  
 visit [www.clergyfunds.org](http://www.clergyfunds.org)

 **Clergy Health and Retirement Trust**  
 Caring for the Well-Being of our Boston Priests

Scan this qr code with your smart phone and app.  
**617-779-3770**

**SPACE AVAILABLE**



Support your priests at the Easter collection



**Co-Workers in the Vineyard Conference**  
 The Mission of Evangelization in the Parish  
**April 10, 2015 9:00-3:30**  
 Our Lady Help of Christians Parish  
 Newton, MA  
 Keynote Speaker:  
**Dr. Ralph Martin**

  
 THE THEOLOGICAL INSTITUTE  
 FOR THE NEW EVANGELIZATION  
**617-779-4104 ext. 1 | www.TheologicalInstitute.org**

**2015 Catholic Appeal**  
 Living Our Faith Together

**We Have Space Available For You!**

**Save 30% to 50% On Most Printing Costs!**

If you bring your printing to a chain store or other printer, money is leaving with those print jobs. We can help save you money.

Booklets	Notepads
Bookmarks	Plastic Cards
Business Cards	Postcards
Calendars	Posters
Door Hangers	Presentation Folders
Flyers/Brochures	Stickers
Greeting Cards	Table Tent Cards
Magnets	& much more
Newsletters	

Proud Printers of This Bulletin

**617-779-3777**  
 printing@PilotPrinting.net  
 www.PilotPrinting.net

**PilotPrinting**